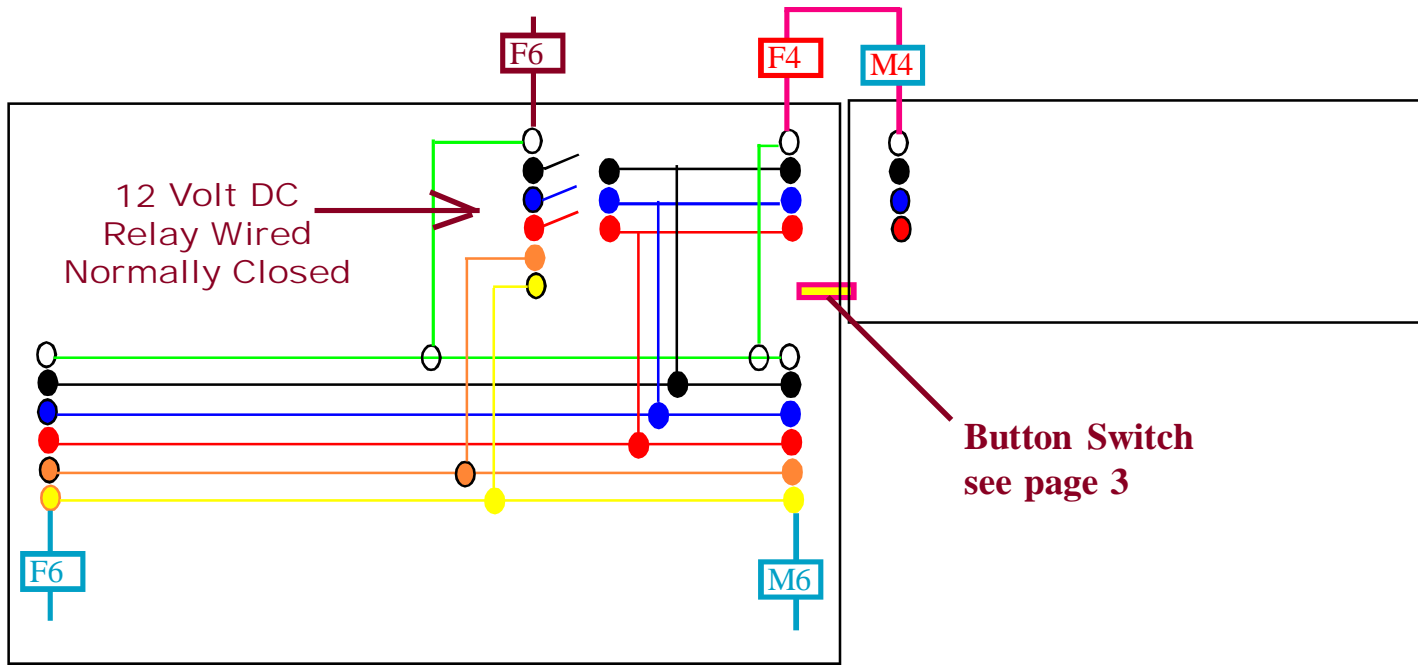
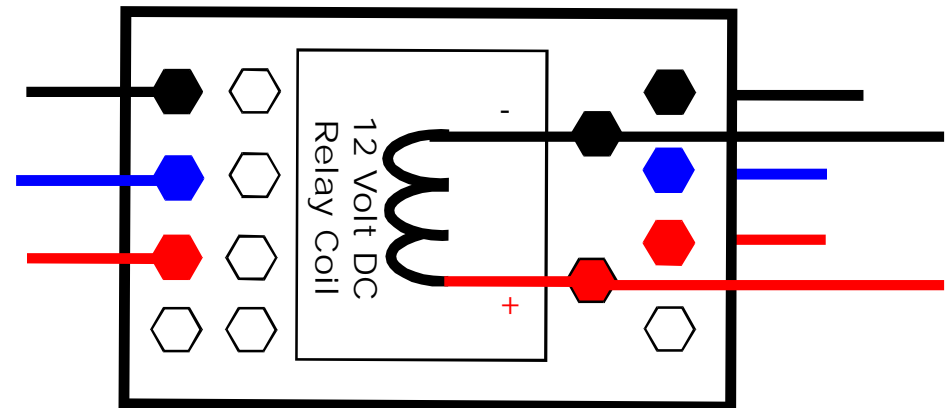


hard wiring under the hinged module



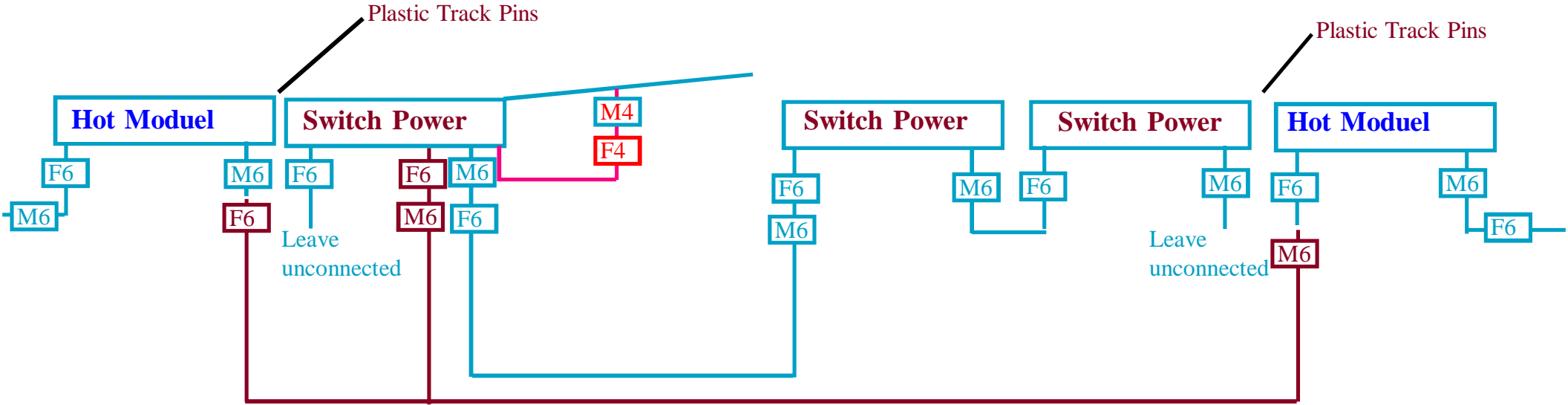
- 6 Standard Cable Connections
- 6 Through Power Cable
- 4 Bridge Cable Connection

12 Volt DC Relay See Page 3

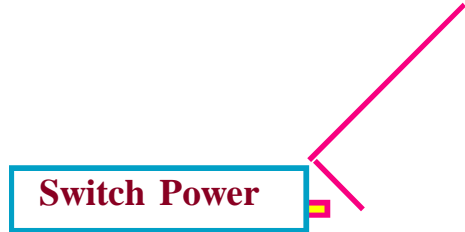


The views are from the front of the module. Remember viewing from the back the Female is on the right therefore the female is on the left from this view.

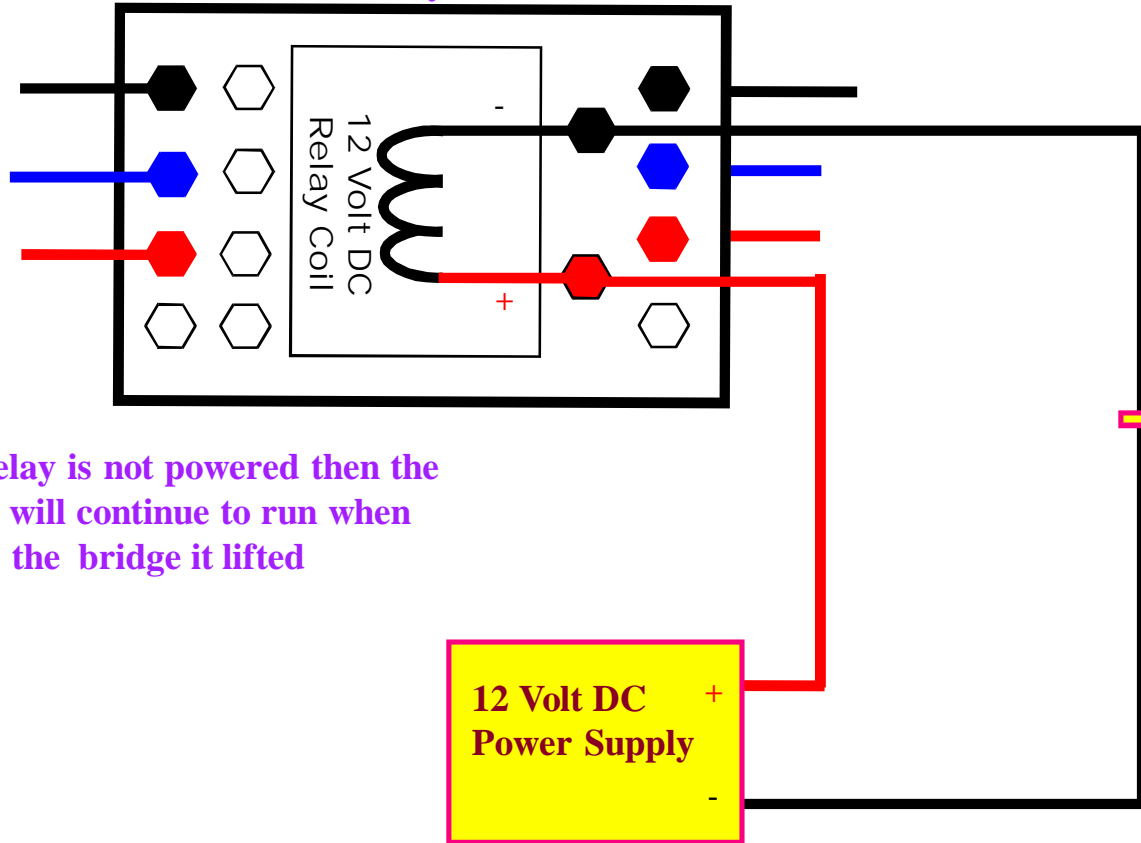
- 6 Standard Cable Connections
- 6 Through Power Cable
- 4 Bridge Cable Connection



Button Switch wired normally Closed When Depressed by the Bridge the button is then Open. When the bridge is lifted the button then activates the relay turning off the power to the 3 tracks.



Track wired through the relay
Normally Closed



If the relay is not powered then the trains will continue to run when the bridge is lifted