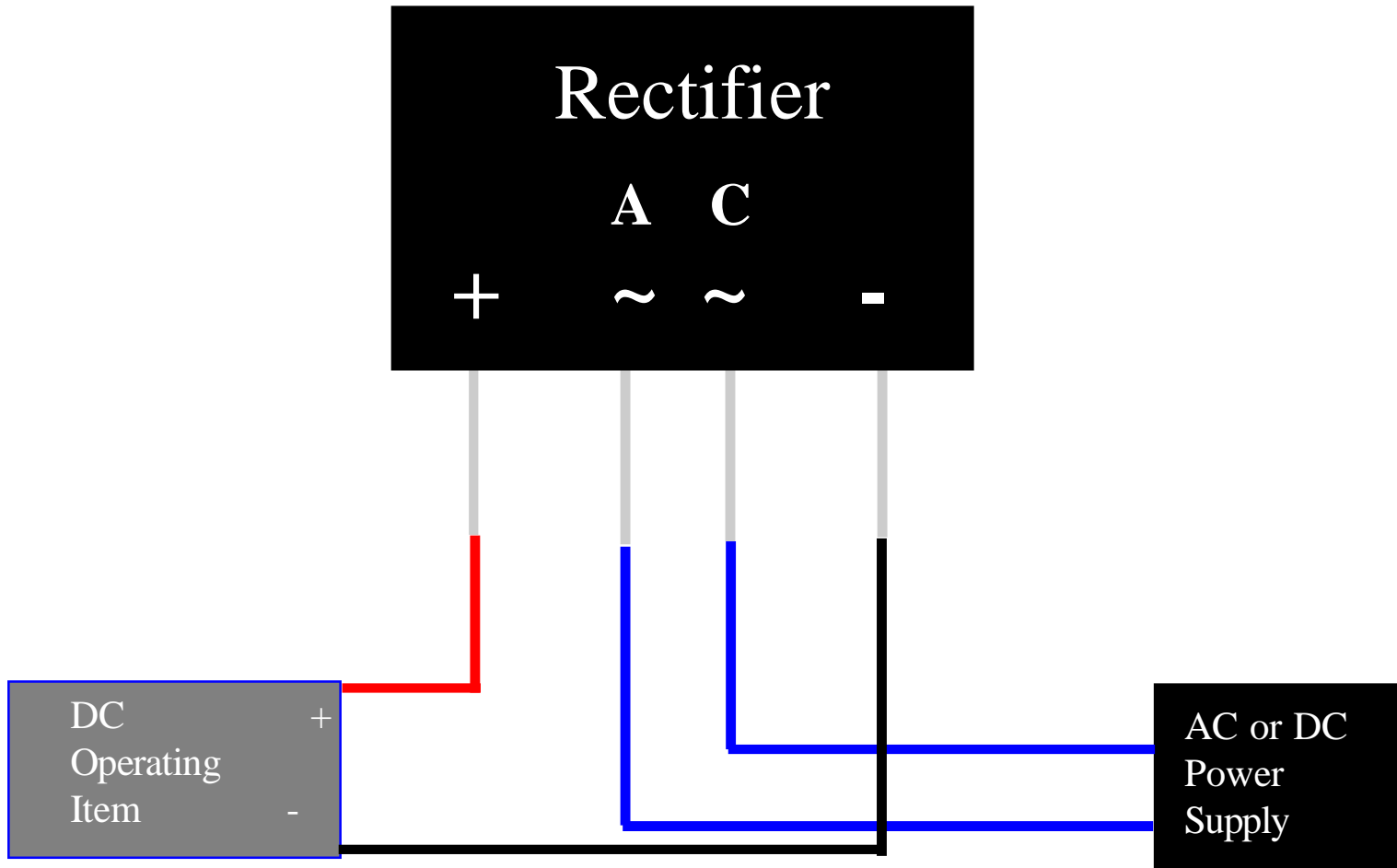


Simple Wiring of a Bridge Rectifier

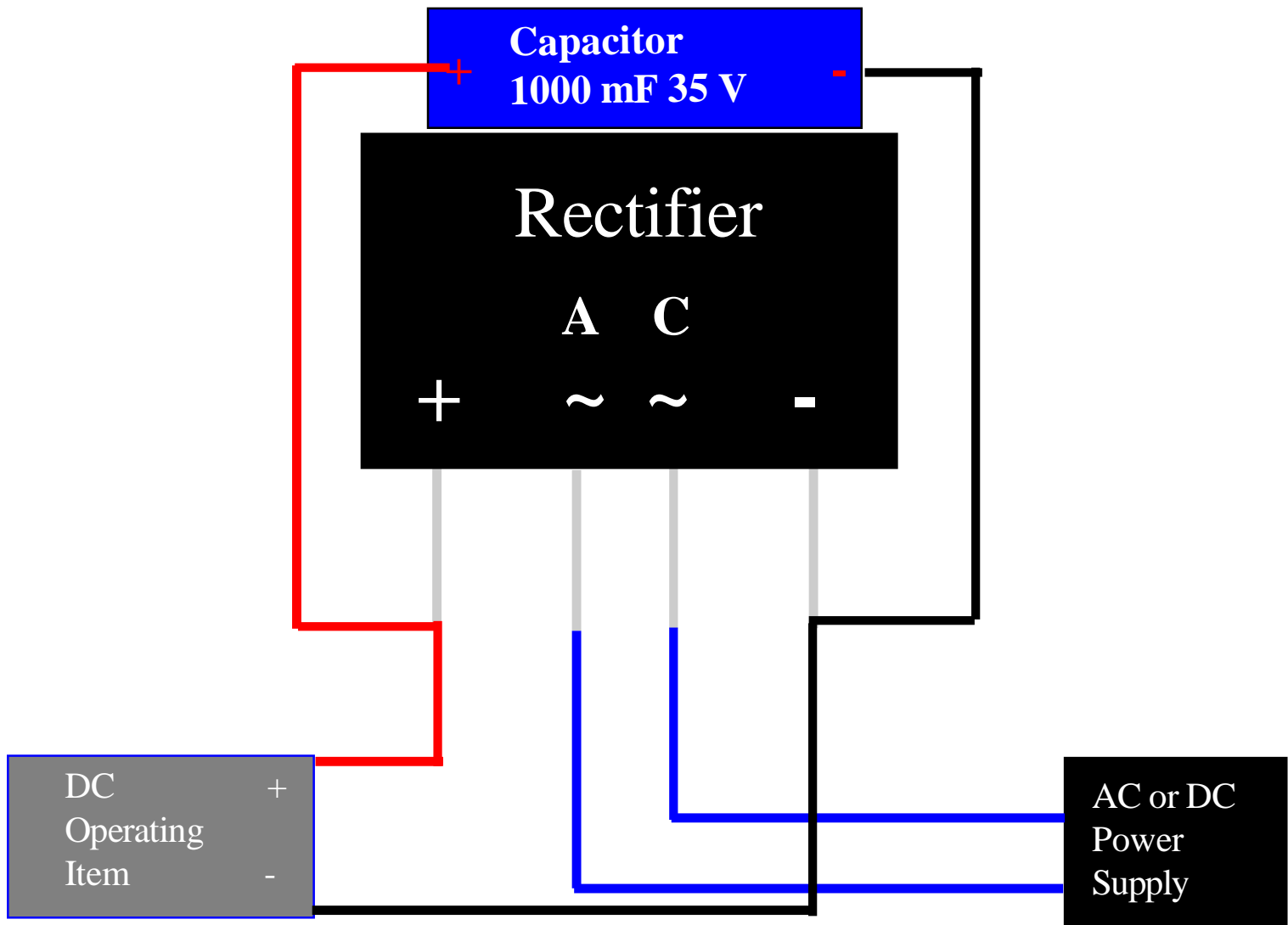


Take AC power wires from the supply and attach to the AC leads on the rectifier.

I like Red for positive. Attach Red wire from the + lead to the + side of the DC operating item.

I like Black for negative. Attach a Black wire from the - lead to the - side of the DC operating item.

Simple Wiring of a Bridge Rectifier with a Capacitor



The use of a Capacitor will allow the charge to last momentarily to reduce lights from flickering and Relays from chattering at momentarily loss of contact.

You simply have to attach a Capacitor's leads, Pos. + to + and Neg. - to -, to the leads of the Rectifier.