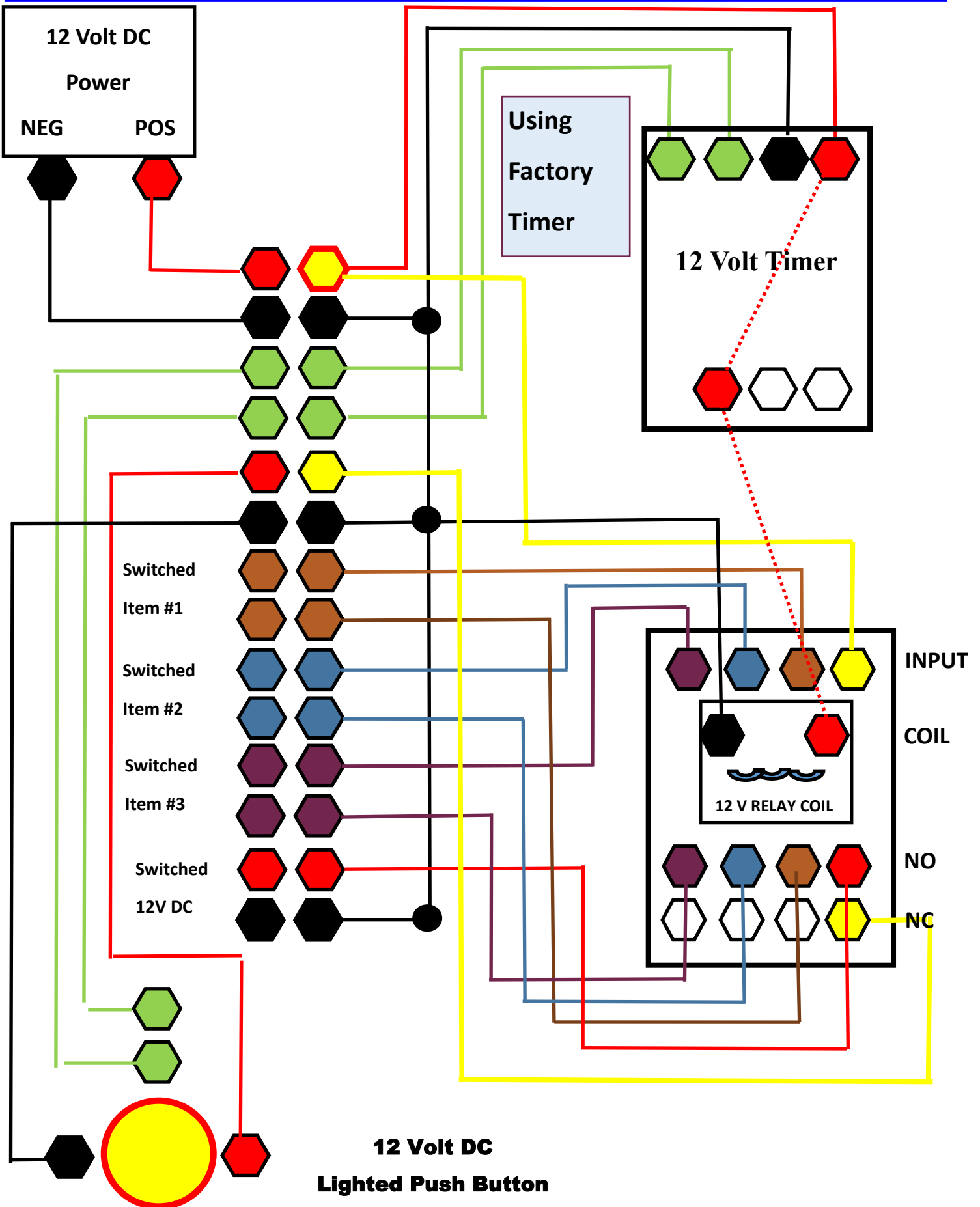
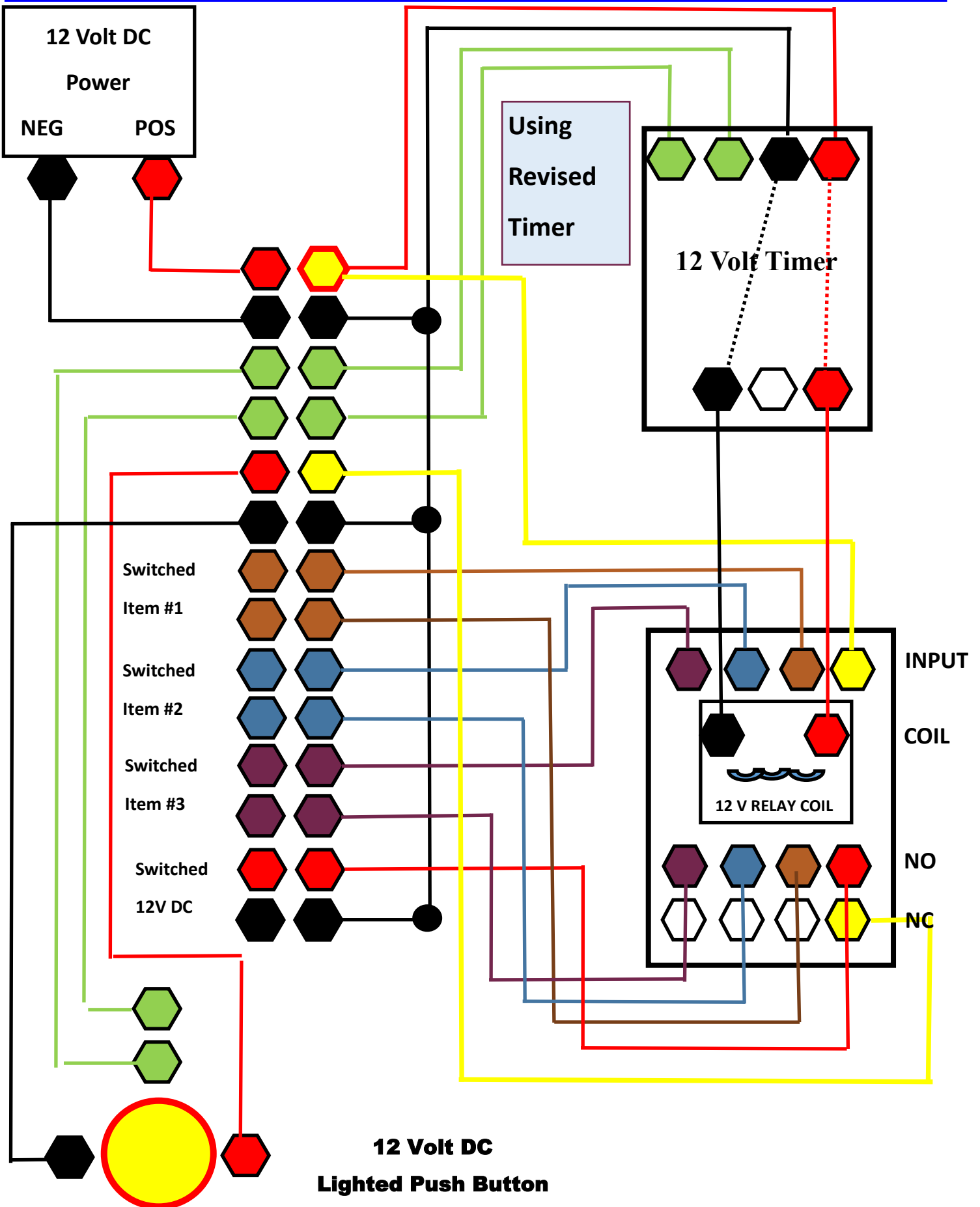


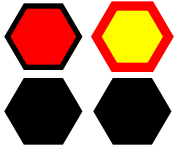
Four Circuits on Timer and Switched w Factory Timer



Four Circuits on Timer and Switched w/ Revised Timer

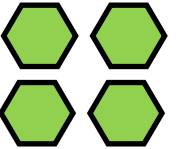


Color Coding for the Drawing



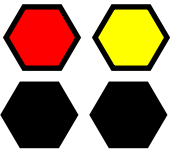
12 Volt DC Positive for Timer, Relay and LED Button Light

12 Volt DC Negative for Timer, Relay and LED Button Light



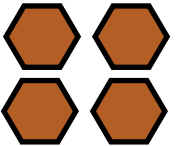
Push Button Leads to start the timer

Push Button Leads to start the timer



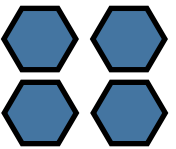
12 Volt DC Positive to operate the LED Button Light

12 Volt DC Negative to operate the LED Button Light



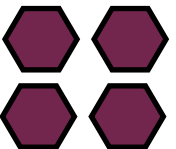
Hot or Positive from power source to operate an item

Hot or Positive to the item that is to be operated



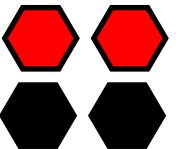
Hot or Positive from power source to operate an item

Hot or Positive to the item that is to be operated



Hot or Positive from power source to operate an item

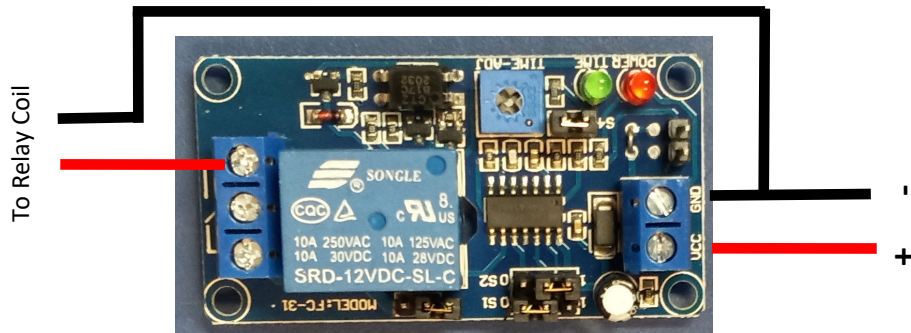
Hot or Positive to the item that is to be operated



12 V DC positive to an item to be switched by the relay

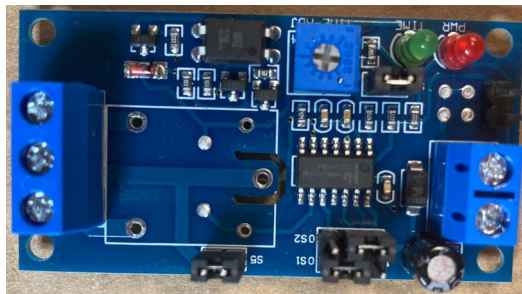
12 V DC from the item to be switched by the relay

Timer Wiring Choices

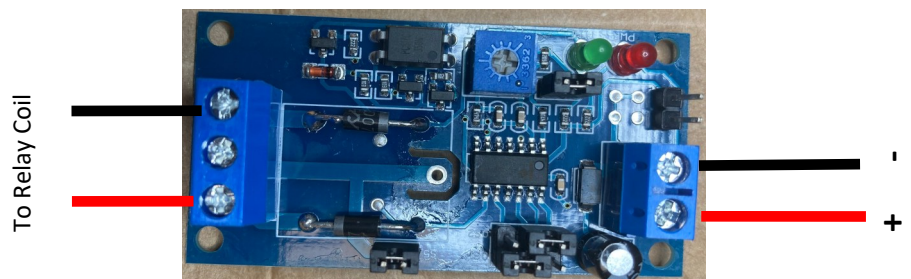


This is the original Timer purchased as of today and it looks the same.

This timer is wired to activate a 12 Volt DC Relay by activating the timer's attached relay. The timer/relay is a one circuit relay as purchased and can use the same power source to use the



This timer is shown with the Relay removed. I have used these timers after removing the relays mostly because some of the attached relays have failed. The timers seem to work



This timer is shown with two diodes replacing the relay.

After I removed the attached relay I then soldered in two diodes across the solder points of the relay. This allows me to wire directly through the timer to activate another relay.

Chart to set the Timer's Length of Time

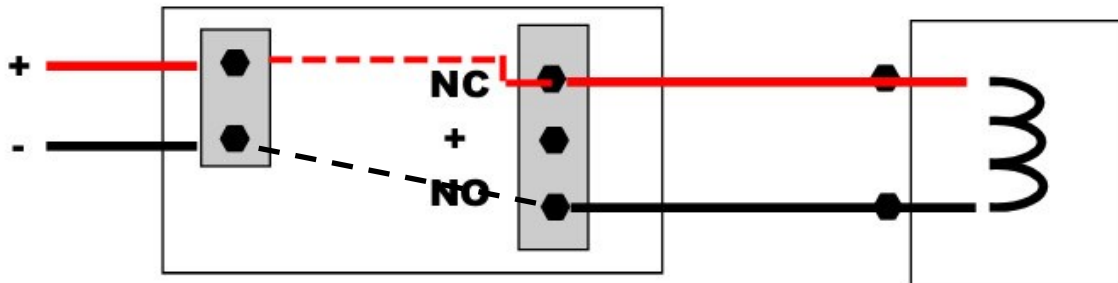
12 Volt DC Power supplies both the timer and the item timed to work with an internal connection.

S1  **1 Second to 15 Seconds**
 S2 

S1  **1 Second to 60 Seconds**
 S2 

S1  **1 Minute to 8 Minutes**
 S2 

S1  **6 Minutes to 60 Minutes**
 S2 



**S5 leave attached to run the relay
 From the timer power 12 V DC**

- S1 = Switch 1
- S2 = Switch 2
- NC = Normally Closed
- NO = Normally Open
- + = Positive DC
- = Negative DC

Activation Wire Pin +



PDF-12 Volt Timer diagram