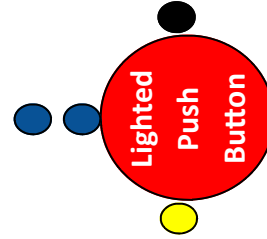


12 Volt Wiring of Automotive Variable Flasher

The following shows how to wire up an automotive flasher unit to a single flashing light or Multiple lights that will flash at same time.

Then how to wire the flasher through a relay to cause 2 lights to flash alternately.

The last drawing is how to wire up the complete package with a timer and a push button.



Automotive Flasher and one light flashing

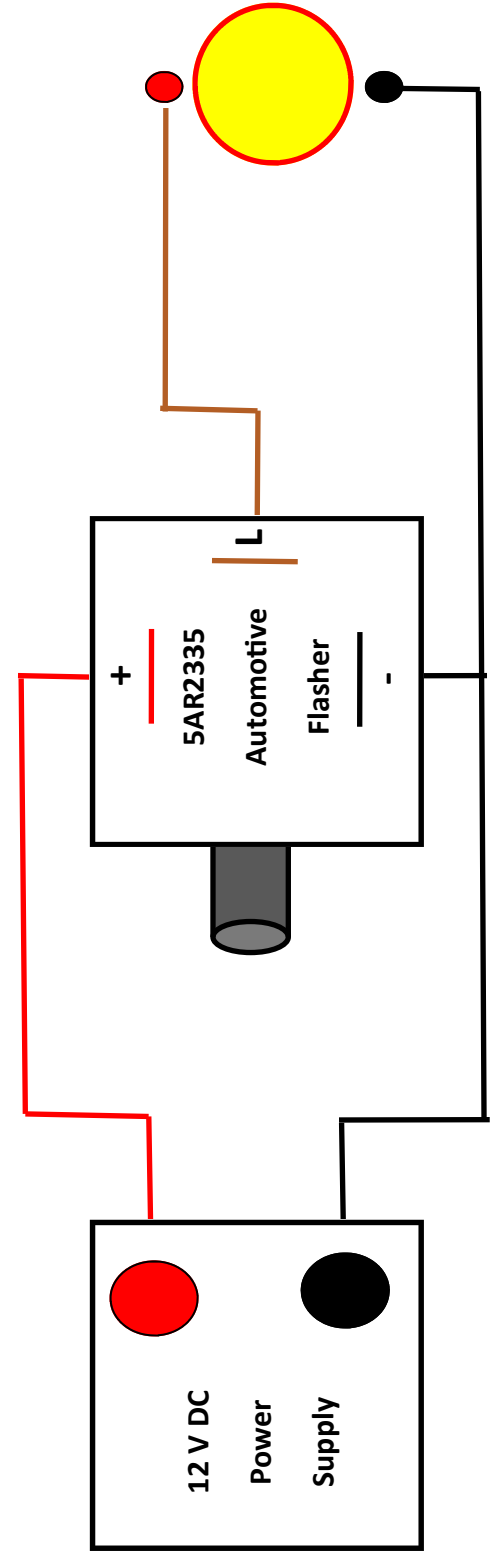
This drawing allows you to operate one light to flash on and off.

You may also hook up additional Lights in a parallel and they all will flash at the same time.

The stem attached to the Flasher unit will allow you to adjust the rate of the light to flash.

Positive wire from Power goes to flasher only. The Negative goes to the flasher and the negative side of the light.

From Flasher the center output goes to the positive post of the light.



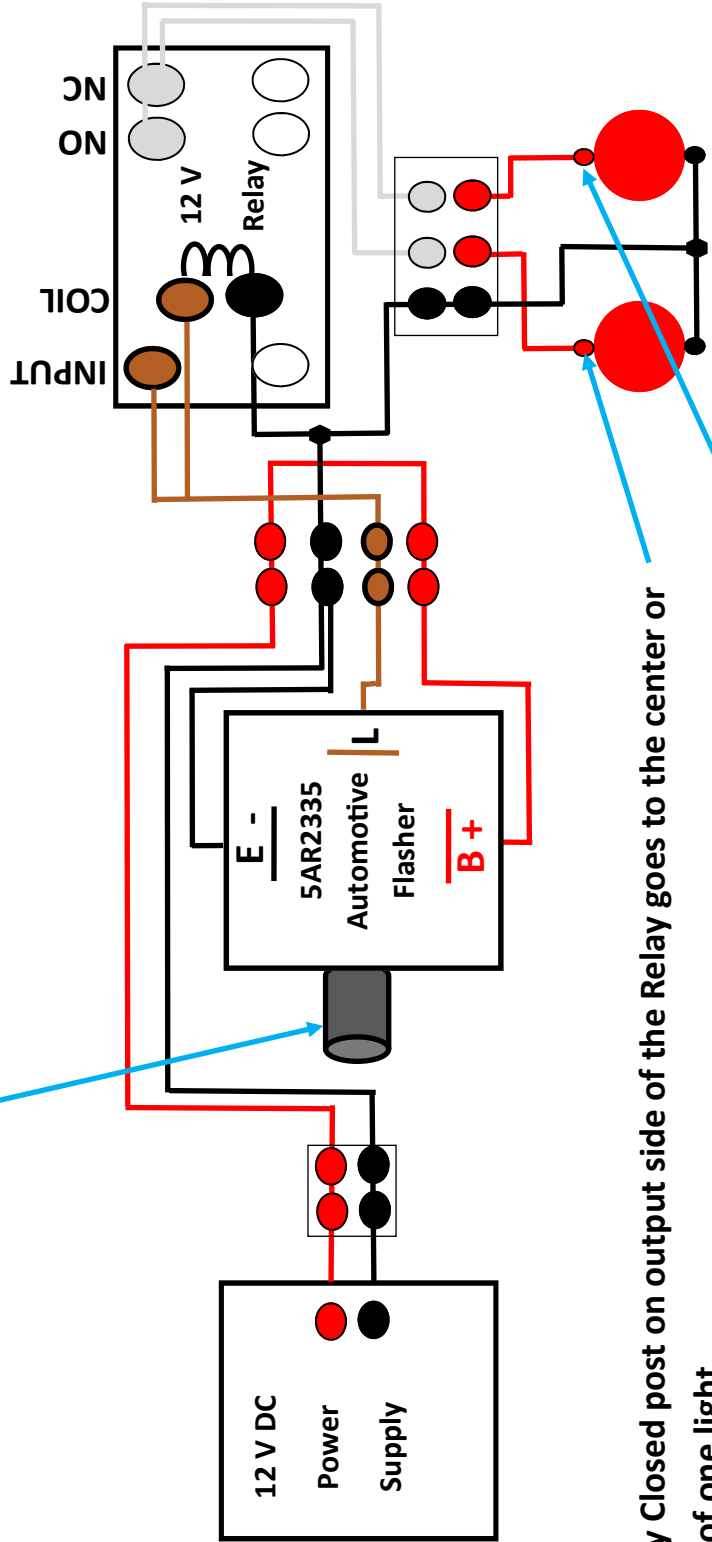
Automotive Flasher with Relay to Flash two Lights Alternating

This drawing allows you to operate two or more lights to flash alternating.

The stem attached to the Flasher unit will allow you to adjust the rate of the light to flash.

Positive wire from Power Post "B" and to the input side of the relay for the lights. The Negative goes to the flasher Post "E" and the negative post for the Relay then to the negative side of the lights.

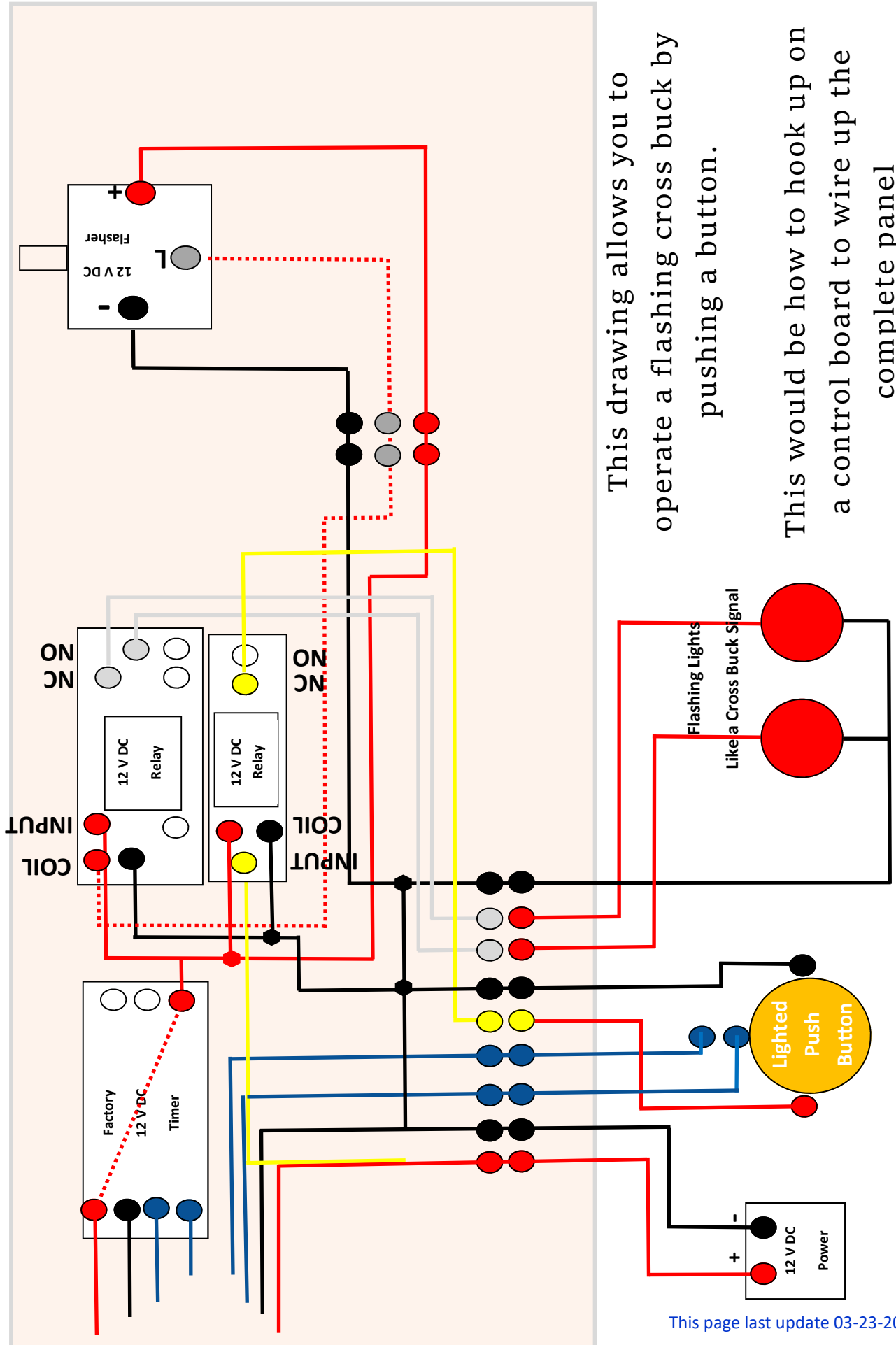
From Flasher the center output post "L" Load goes to the positive post of the relay coil.



Normally Closed post on output side of the Relay goes to the center or positive of one light.

Normally Open post on the output side of the Relay goes to the center or positive side of the other light.

Automotive Flasher Wired with Timer and Push Button



This drawing allows you to operate a flashing cross buck by pushing a button.

This would be how to hook up on a control board to wire up the complete panel

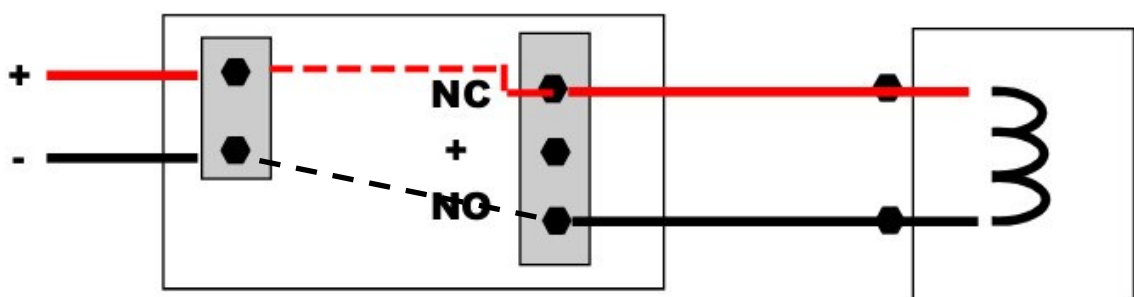
12 Volt DC Power supplies both the timer and the item timed to work with an internal connection.

S1  **1 Second to 15 Seconds**
S2 

S1  **1 Second to 60 Seconds**
S2 

S1  **1 Minute to 8 Minutes**
S2 

S1  **6 Minutes to 60 Minutes**
S2 



S5 leave attached to run the relay From the timer power 12 V DC

- S1 = Switch 1**
- S2 = Switch 2**
- NC = Normally Closed**
- NO = Normally Open**
- + = Positive DC**
- = Negative DC**

Activation Wire Pin +
 Activation Wire Pin -



PDF-12 Volt Timer diagram



Activation Plug - JST 2 Pin Male Female Con-

This page last update 04-01-2026