

Using a DPDT Toggle Switch to Wire a Track Block and Using a Red and Green LED lights to Indicate if the Track or any Other Item is Hot or Off

A **Double Pole Double Throw** switch is also known as **DPDT**.

This switch is actually two switches using one toggle to throw both switches at one time.

Using this switch will allow you to control up to 2 circuits at one time using 2 separate power supplies. By throwing the switch completely to the other side you can control another 2 circuits.

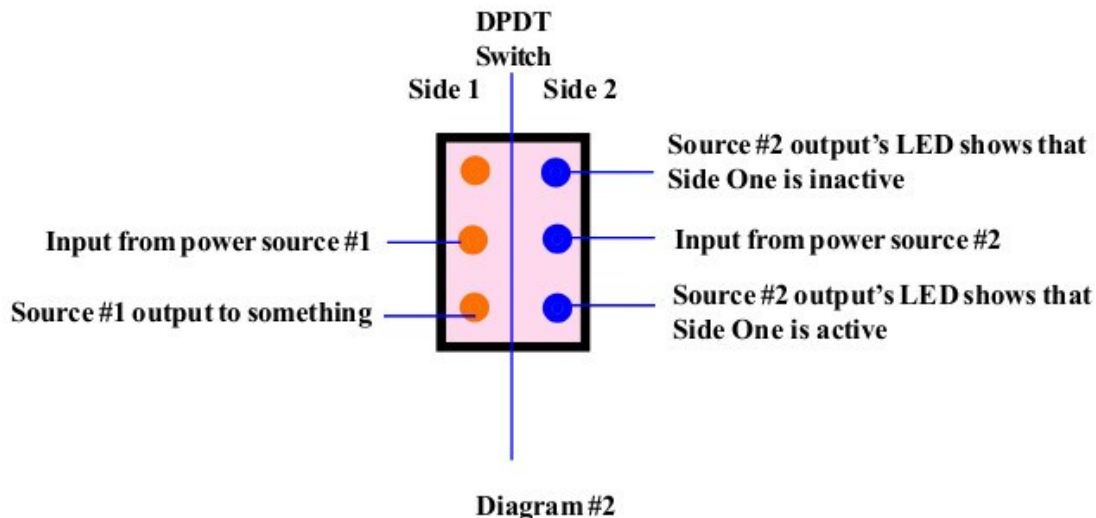
Side One and **Side Two** are the connections to be wired to switch the items either on or off.

Side One (1): Diagram #2

1. The hot or positive connection from a transformer is attached to the center pin on **Side One** of the switch.
2. Attach the hot or positive wire going from the item that you want to turn on and off to the lower pin on **Side One**.
3. The common or negative wire runs directly from the item You are operating to the transformer completing the circuit.
4. Note the upper pin on Diagram #1 is not used on **Side One**, but if you wanted to run another item when the first one is off you would use the hot wire and connect it to the top pin on **Side One**.

Side Two (2): Diagram #2

1. The hot or positive connection from a transformer is attached to the center pin on **Side Two** of the switch. In Diagram #1 on Page 1 I am wiring 3 LED indicator lights.
 - a. There are 2 green LED diodes attached in parallel to the lower pin on **Side Two**.
 - i. One light is mounted on the control panel above the switch
 - ii. The second light is mounted at the section of track showing it has power available when the green lights are lit.
 - iii. Attach both positive leads to the lower pin on **Side Two**.
 - iv. All Negative wire leads are connected to the power supply.
2. There is 1 red LED diode attached to the upper pin on **Side Two**.
 - i. Mount this red LED on the control panel above the switch.
 - ii. Attach the negative lead to the same negative wires attached to the power supply.



WIRE A DPDT SWITCH

The diagram below is how to wire a Double Pole Double Throw switch to turn on a section of track and at the same time show a green indicator light on the control panel and the section of track that has been activated. When the switch is thrown to the off position, then the red indicator light will be lit on the control panel showing that this section of track is not powered.

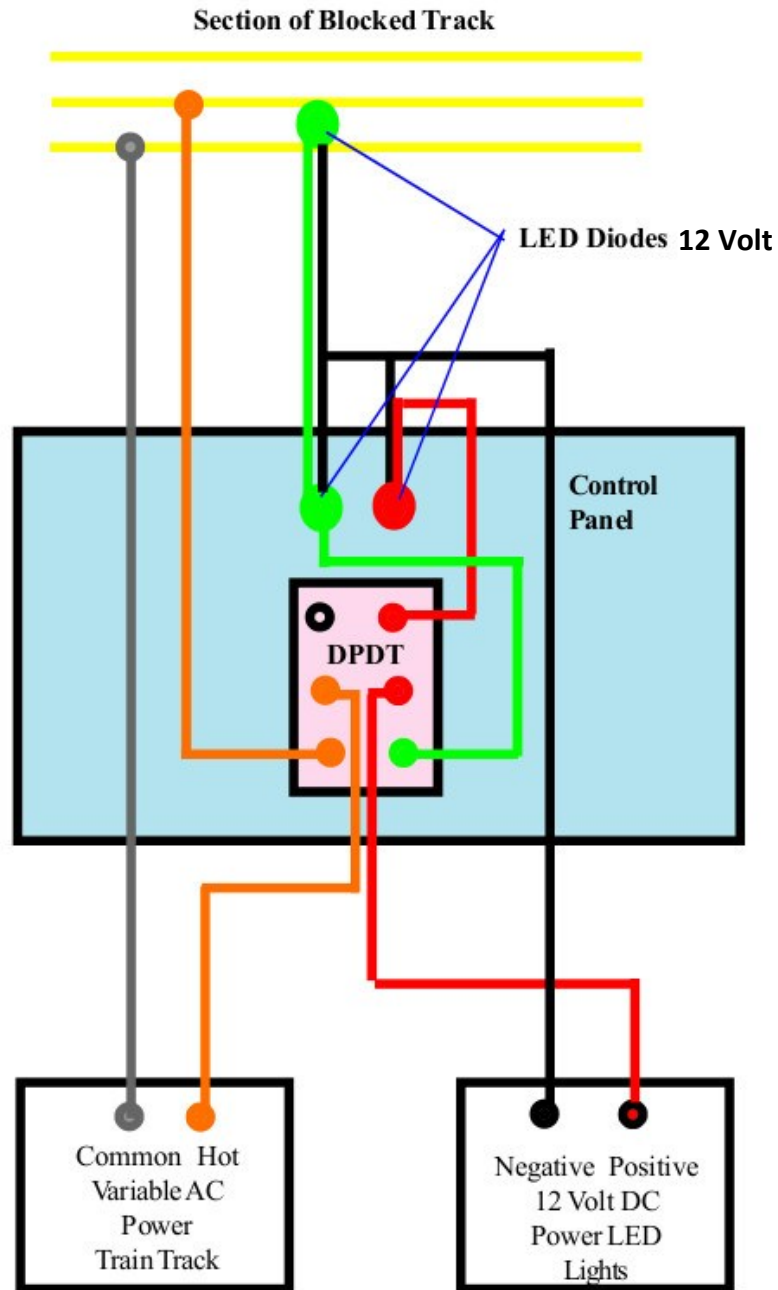


Diagram #1