

Finish Line with Lights and Announcement

The below identifying connections are color coded to the following pages to be used with the single 2 position or 4 position relays with timers.

2 position relays will allow the finish lights to work alone.

4 position relays will be needed to include the lights and the sound announcement to be used.

12 Volt DC Positive for Timers, Relays and LED Indicator Lights. Red Wire is positive and can be used for the lights also but I drew a Yellow dashed wire to identify the indicator Winner's light wiring.

12 Volt DC Negative for Timers, Relays and LED Indicator Winner's Light.









The first set of wheels crossing the finish line fires the timer which shuts off the possibility of the second track being able to fire the timer for the second Track. The activation wire is run through the opposing track's relay in a Normally On position. Therefore when the train activates the timer by having the wheels connecting across the two outside tracks causing the activation circuit to be completed. The Timer fires the relay shutting off the other tracks timer to work and turns on the light for the winner's track.

If you have the sound board and speaker hooked up then they sound board will be activated on the winning track and the other track is not able to activate the sound either.

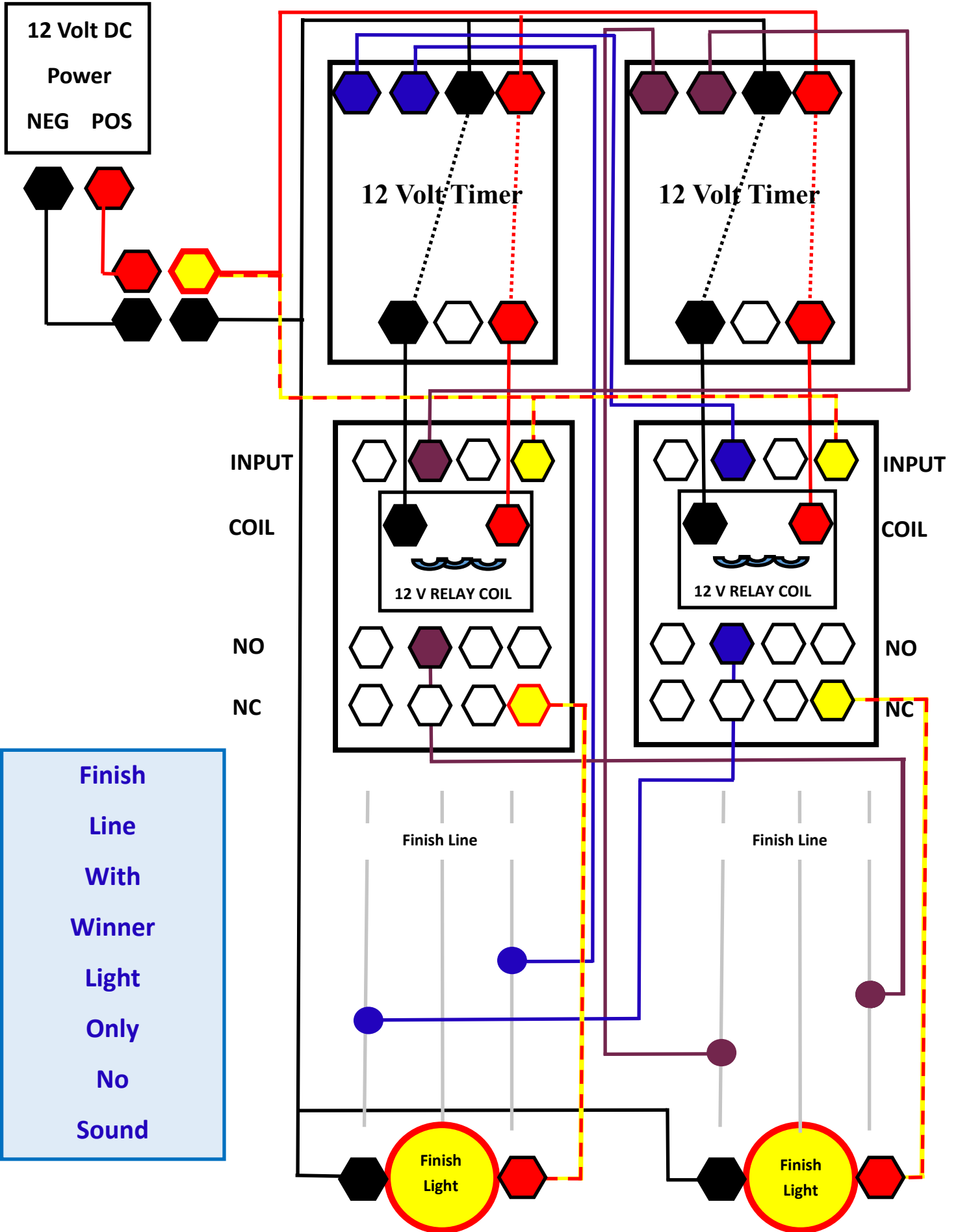
At the same time the LED light will light showing the track that is first to cross the finish line. The light will stay on for a specified time and then both tracks will be reset.

All wiring drawn is in a solid color except for the lights and that is a dashed Red and Yellow.

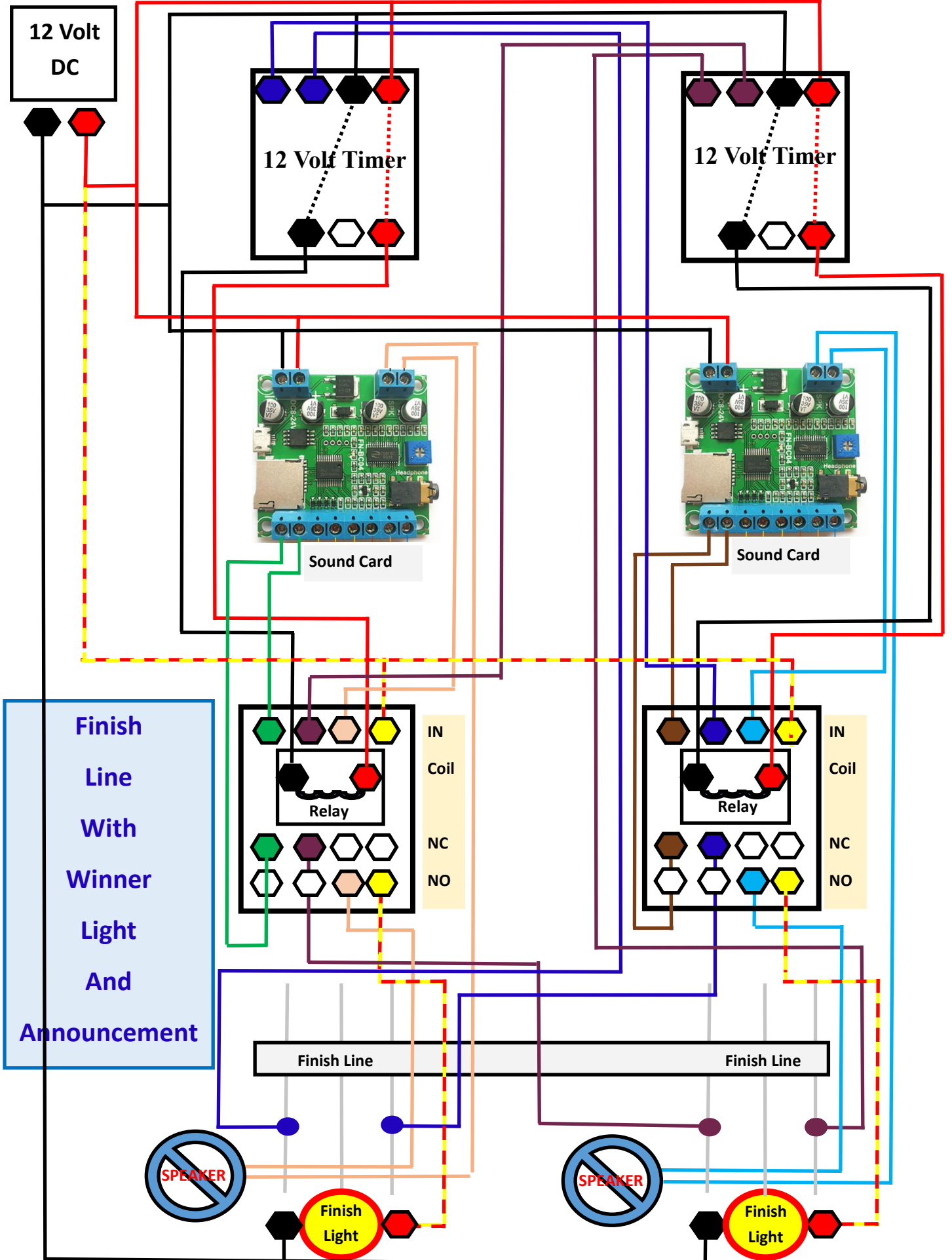


-  Red or Yellow -12 Volt DC Positive
-  Black - 12 Volt Negative
-  Blue is Track One Activation Wiring
-  Purple is Track Two Activation Wiring
-  Green is Track One Sound Card Activation
-  Brown is Track Two Sound Card Activation
-  Tan is the Speaker for Track One
-  Light Blue is the Speaker for Track Two

LOTS B - Timer Relay Finish Line Train Drag Race with Speaker and Sound Card.pub



LOTS B - Timer Relay Finish Line Train Drag Race with Speaker and Sound Card.pub



Finish Line With Winner Light And Announcement