

MTH Accessory Wiring Connection

INSTALLATION

Place in desired spot on layout.

Wiring

- A** Connect Red wire to transformer AC and connect Black wire to activation button
- B** Connect Black wire to transformer ground

Power input for action

- C** Connect Black wire to activation button

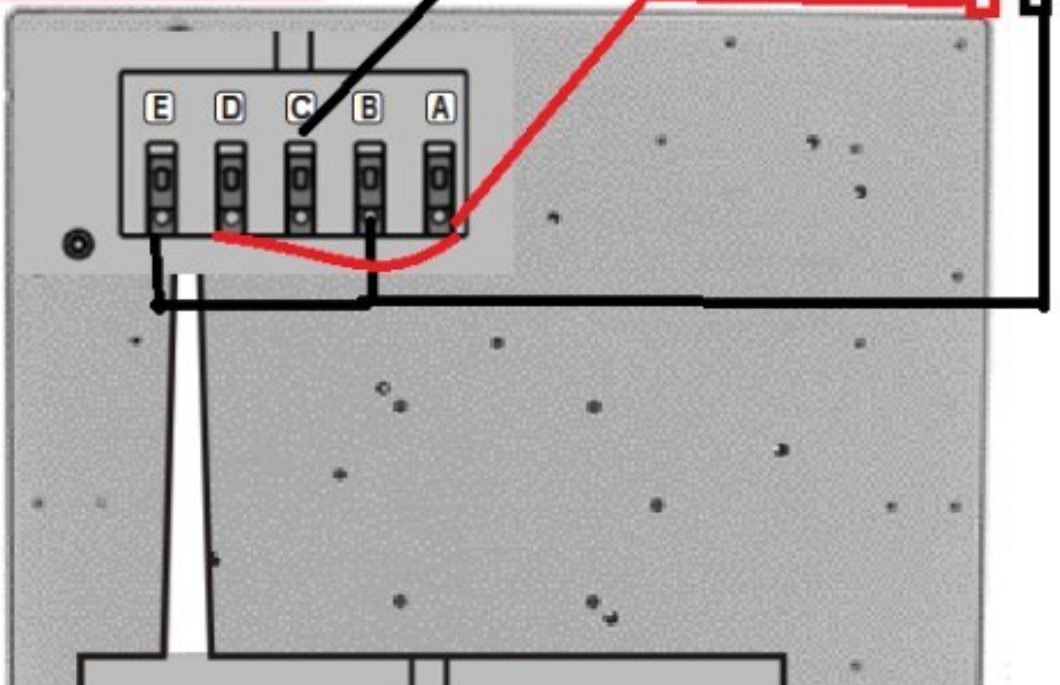
Activate

- D** Connect Red wire to transformer AC
- E** Connect Black wire to transformer ground

Lights only

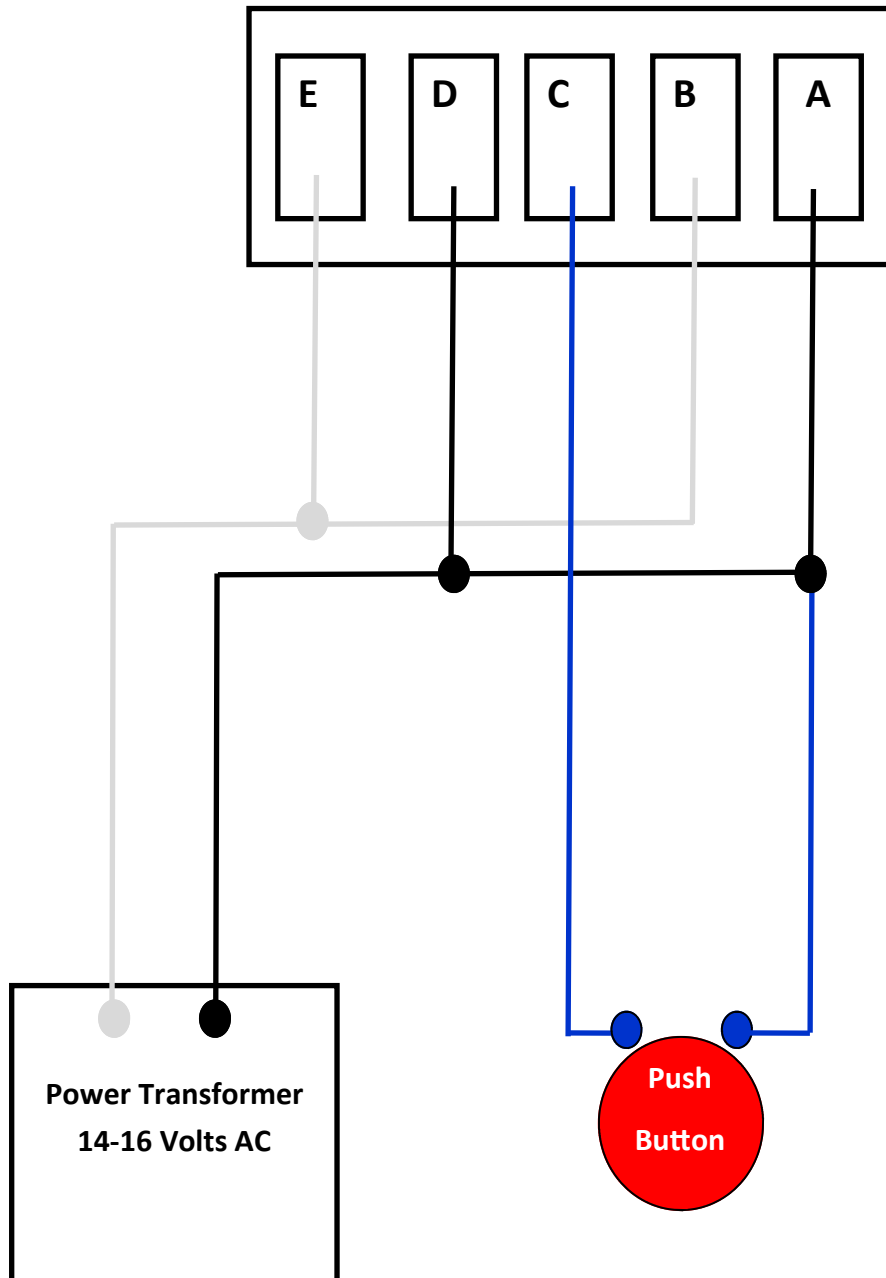
Activation Button

Accessory transformer



MTH Accessory Wiring Connection

- AC Common
- AC Hot
- Activation Button
- Speaker Installation



Add an External Speaker

If there is a sound involved in the accessory then you can open the item to locate the speaker.

You will need to disconnect one speaker wire and run that wire to a single pole double throw switch.

Connect the disconnected wire to the center post the switch.

Then run a wire from one side of the switch to the original speaker.

Now you need to run from the other side of the switch a wire to an external speaker.

Attach another wire to the internal speaker wire that was not disconnected.

The there end you will need to attach to the external speaker.

